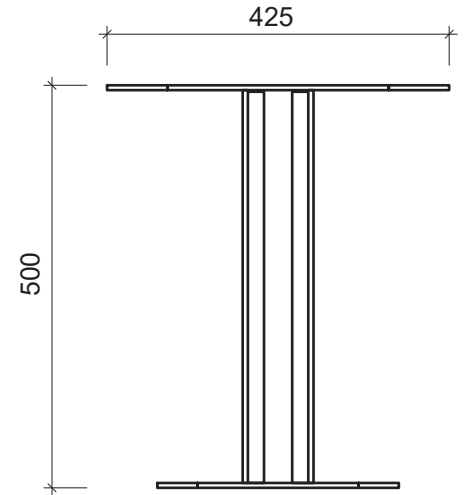
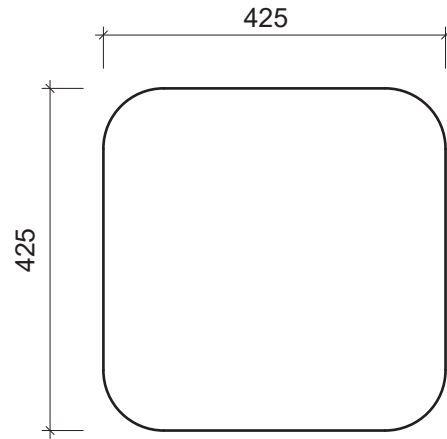
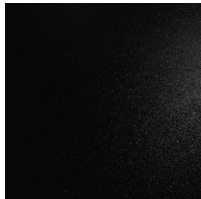


Ben Kennedy design

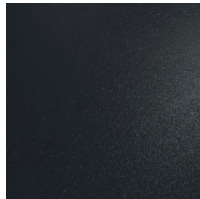
BEAM SIDE TABLE



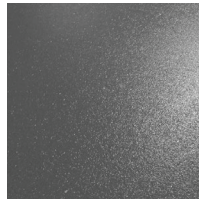
METAL



Black Ferro
powder coated



Charcoal Ferro
powder coated

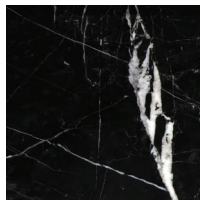


Light Grey Ferro
powder coated

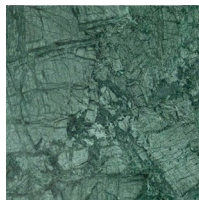
MARBLE



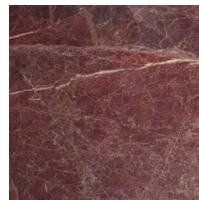
Carrara Corfu



Nero Marquino



Verde Guatemala



Rouge Renaissance

